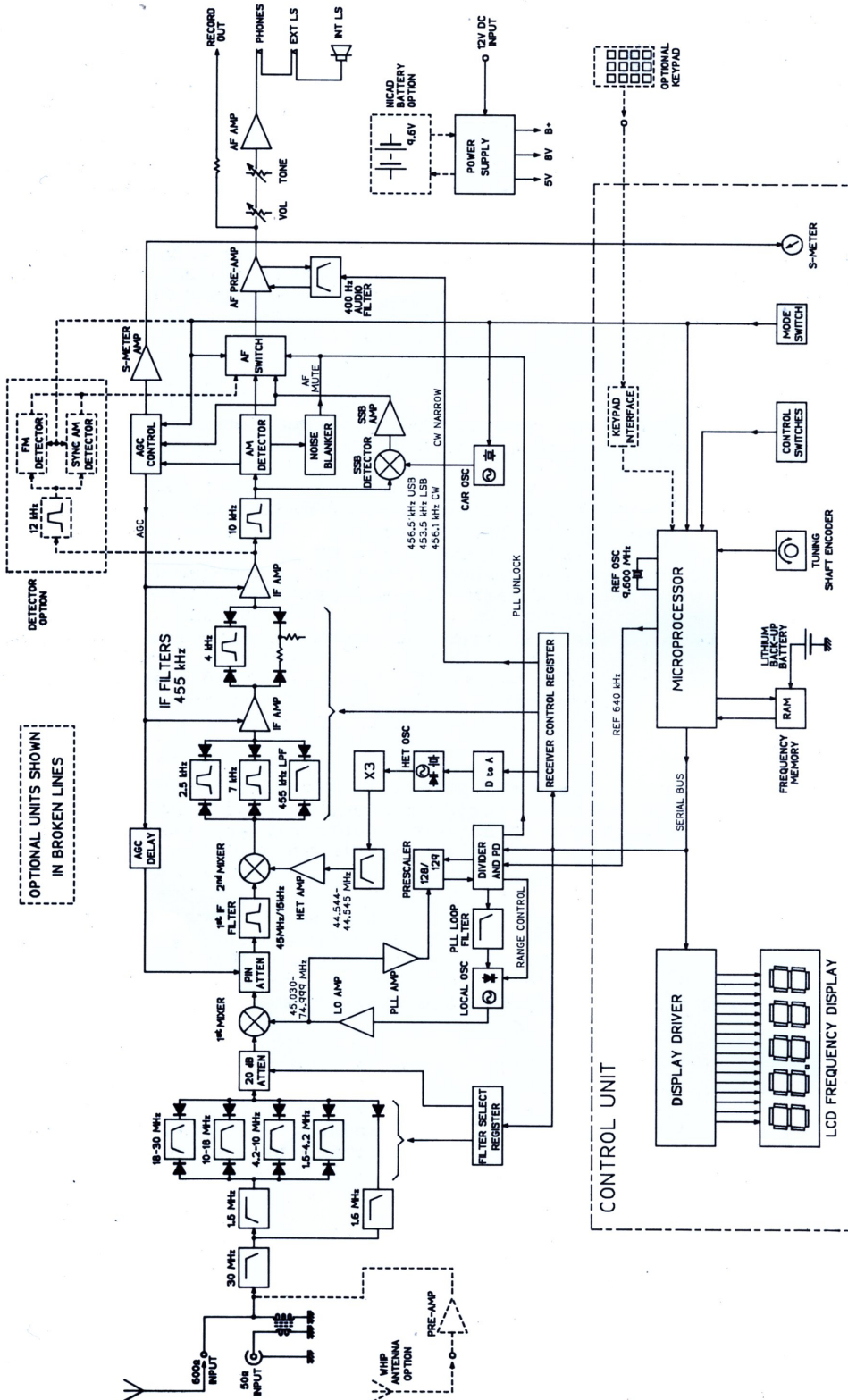
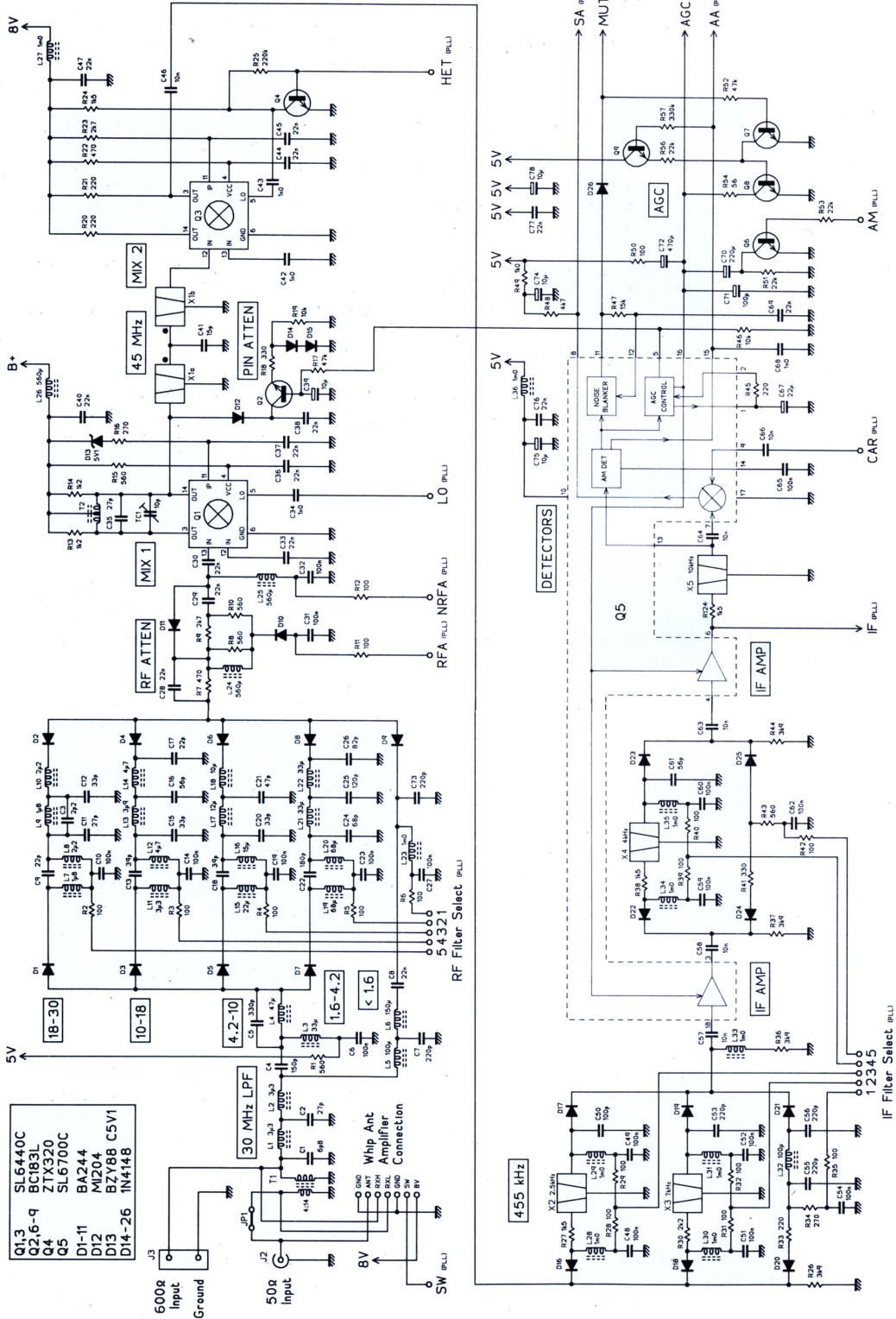


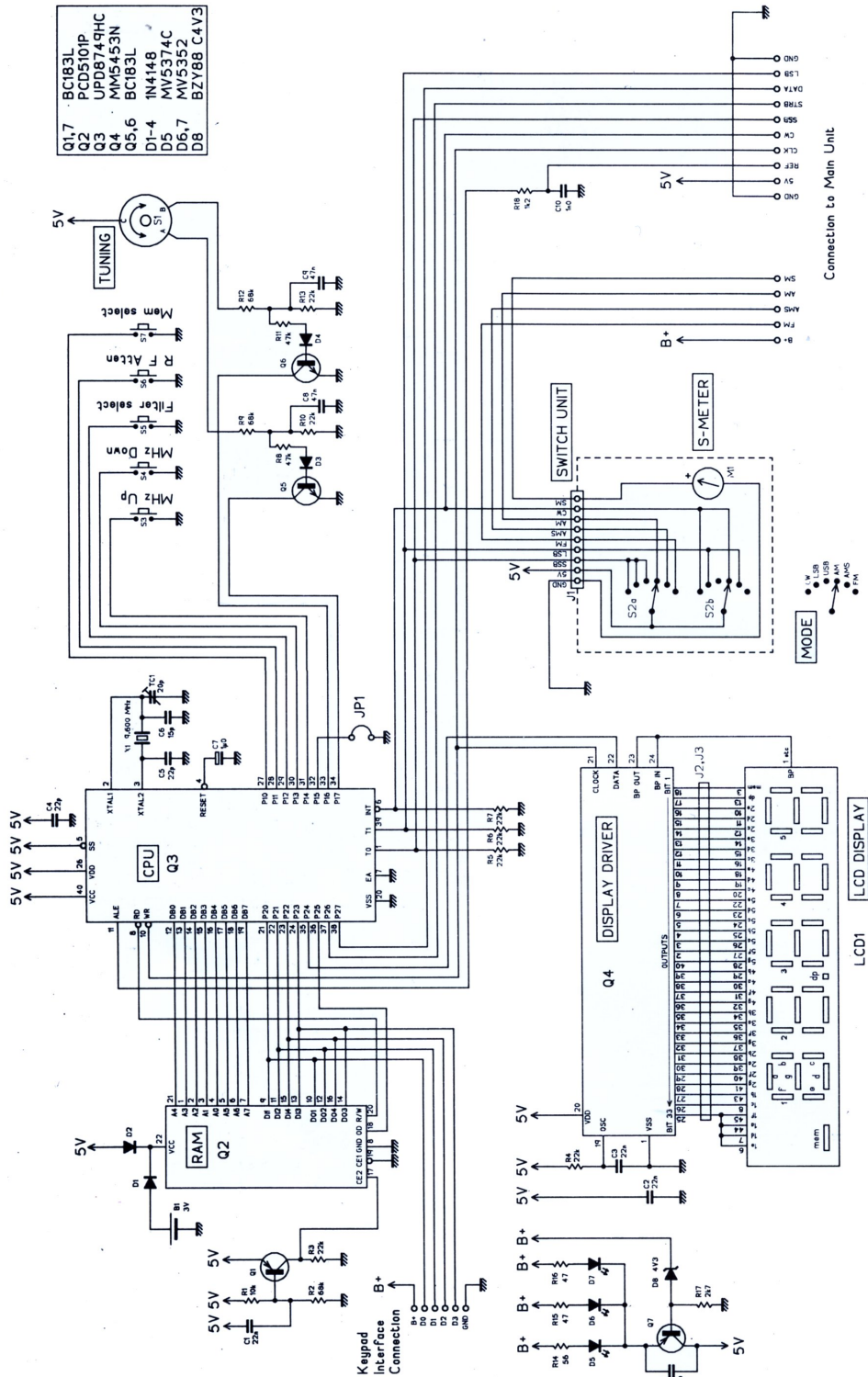
Circuit description.



HF-125 BLOCK DIAGRAM



HF-125 MAIN UNIT
RF and IF SECTION



HF-125 CONTROL UNIT
COMPONENT PREFIX 200